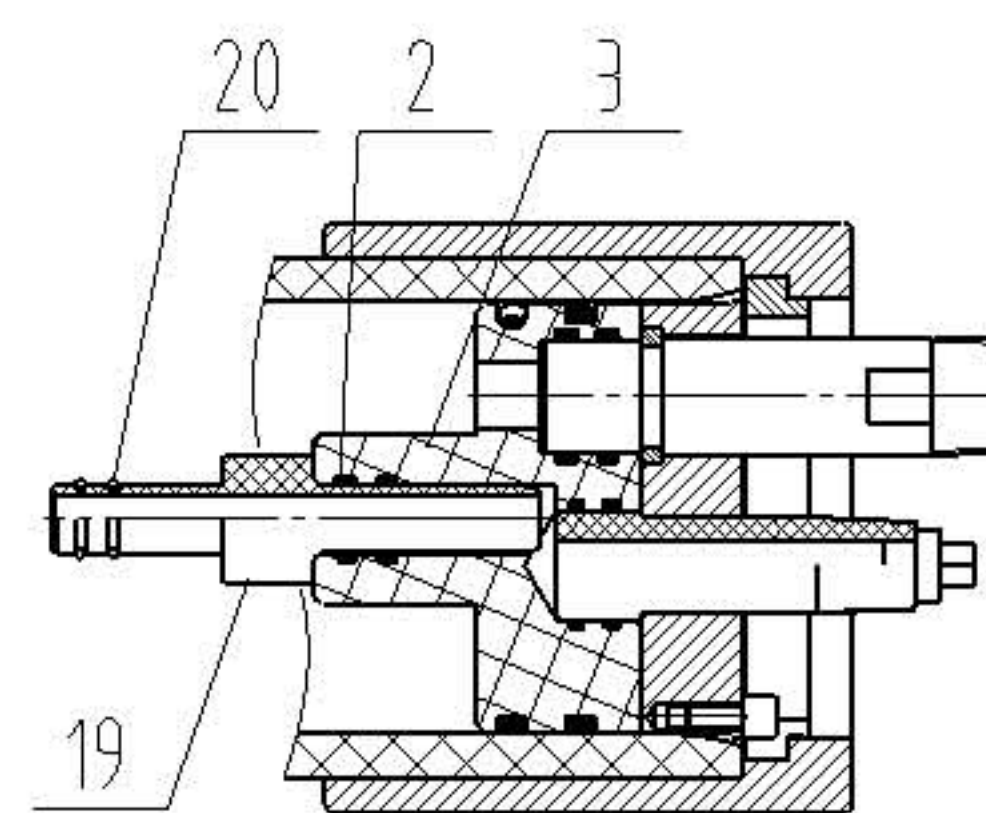
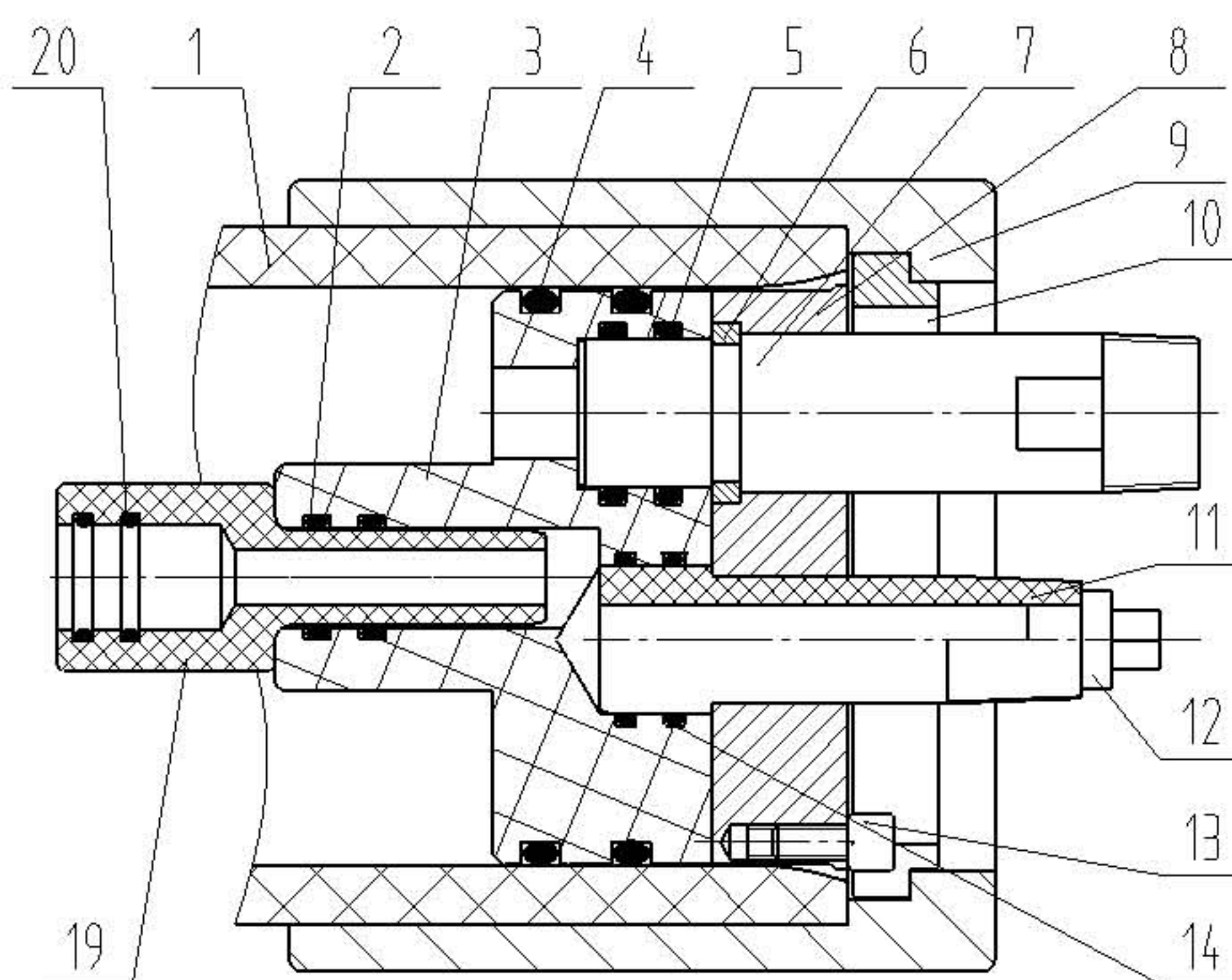


- 1 Design pressure 1000PSI(6.9MPa)
- 2 Design temperature 150°F(66°C)
- 3 Min. allowable temperature 14°F(-10°C)
- 4 Working medium, sea water or brackishwater
- 5 Internal permeate pressure not to exceed 125PSI(0.88MPa)
- 6 Please operate in accordance with User Manual
- 7 Subject to change without notice. Check with ROPV to confirm current drawing.



For Internal Flat Membrane

Ref	Part Number	Description	Qty	Material	Note
20	12.5x1.8G GB/T3452.1-2005 19x2.65G GB/T3452.1-2005	D-Ring	4	EPDM	
19	4021.1 4021	Adapler	2	ABS	
18	GB/170.1-2000 M6x25	Screw	4	316SS	
17	4010	Saddle	2	NR	
16	GB/15782-2000 M8x60	Strap Screw	4	316SS	
15	4008.2	Strap	2	316SS	
14	25x2.65G GB/T3452.1-2005	D-Ring	4	EPDM	
13	GB/170.1-2000 M6x10	Securing Screw	6	316SS	
12	4013	Plug	1	ABS	M12
11	4022	Permeate Port	2	ABS	
10	4024	Locking Kit Segment	6	2024 Aluminium alloy	
09	4089.3	Collar	2	6061 T6 Aluminium alloy	
08	4036	Bearing Plate	2	6061 T6 Aluminium alloy	
07	4038	Feed/Conc.Port	2	2205SS	
06	4039	Feed/Conc.Port Fixed Ring	4	316SS	
05	25.8x3.55G GB/T3452.1-2005	D-Ring	4	EPDM	
04	90x5.3G GB/T3452.1-2005	D-Ring	4	EPDM	
03	4068.1 4068	Sealing Plate	2	ABS	For Flat Membrane
02	14x2.65G GB/T3452.1-2005 17x2.65G GB/T3452.1-2005	D-Ring	4	EPDM	
01	4031.13-18	Pressure Shell	1	FRP	Opt for blue or white

Shell Length Code	Shell Number	L L.O.A (MM/IN)	S Span (MM/IN)	Approx assembly weight (KG/LB)
1	4031.13	1306/51.4	600/23.6	16/36.0
2	4031.14	2322/91.4	1200/47.2	25/56.3
3	4031.15	3338/131.4	2200/86.6	33/74.3
4	4031.16	4354/171.4	1600/63.0x2	41/92.3
5	4031.17	5370/211.4	2300/90.6x2	50/112.6
6	4031.18	6386/251.4	2700/106.3x2	58/130.6

	DESIGN	X W Liu 2008.04.08	Harbin ROPV Industry Development Center	
	REVIEW	J B An 2008.04.08	MODEL R40B1000E PRESSURE VESSEL	
	APPROVAL	Y C Li 2008.04.08	DRG R40B1000E-00	REV 08