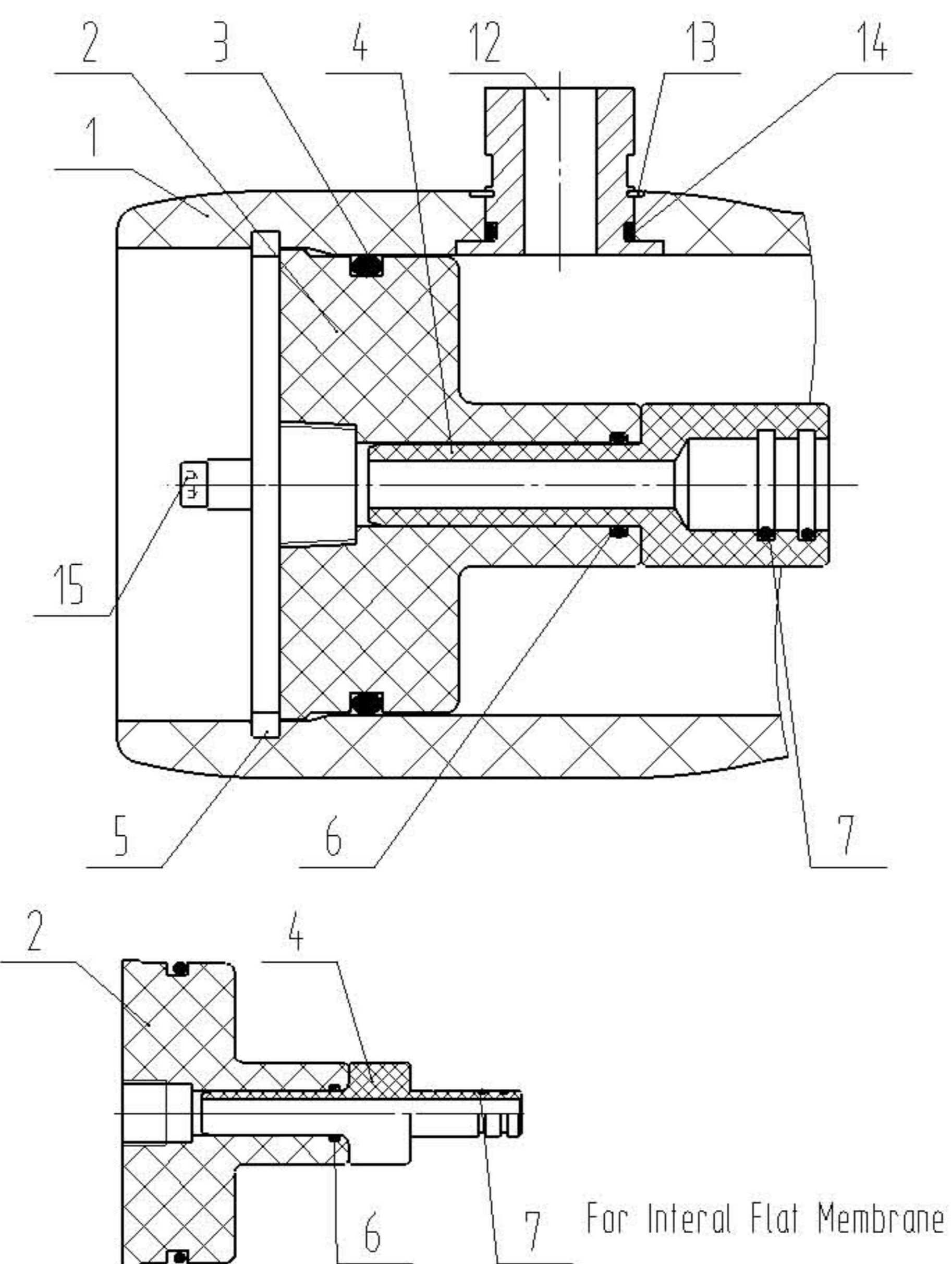


NOTE:

- 1 Design pressure 300PSI(2.1MPa)
- 2 Design temperature 150°F(66°C)
- 3 Min. allowable temperature 14°F(-10°C)
- 4 Working medium, water PH3~11
- 5 Internal permeate pressure not to exceed 125psi
- 6 Please operate in accordance with User Manual
- 7 Subject to change without notice. Check with ROPV to confirm current drawing.

15	GB/T5782-2000 M6x20	Locking Crescent Screw	4	304SS	
14	28x2.65G GB/T3452.1-2005	O-Ring	2~4	EPDM	
13	4005	Retaining Ring	2~4	304SS	
12	4004	Feed/Conc. Port	2~4	316SS	
11	4013.1	Plug	1	ABS	
10	4010	Saddle	2~3	NR	
9	GB/T5782-2000 M8x60	Strap Screw	4~6	304SS	
8	4008	Strap	2~3	304SS	
7	12.5x1.8G GB/T3452.1-2005	O-Ring	4	EPDM	
	19x2.65G GB/T3452.1-2005				
6	14x2.65G GB/T3452.1-2005	O-Ring	2	EPDM	
	17x2.65G GB/T3452.1-2005				
5	4011	Locking Crescent	4	304SS	
4	4021.1	Adapter	2	ABS	For Internal Flat Membrane
	4021				
3	90x5.3G GB/T3452.1-2005	O-Ring	2	EPDM	
2	4001.1	End Plate	2	ABS	For Internal Flat Membrane
	4101				
1	4012.1-6	Pressure Shell	1	FRP	OPT for Blue or White
Ref.	Part Number	Description	Qty.	Material	Note



Shell length code	Shell number	L	P	S	Approx assembly weight KG/LB
		L.O.A MM/IN	Part to part MM/IN	Span MM/IN	
1	4012.1	1263/49.7	1067/42	600/23.6	8/18.0
2	4012.2	2279/89.7	2083/82	1200/47.2	12/27.0
3	4012.3	3295/129.7	3099/122	2200/86.6	15/33.8
4	4012.4	4311/169.7	4115/162	1600/63x2	19/42.8
5	4012.5	5327/209.7	5131/202	2300/90.6x2	22/49.5
6	4012.6	6343/249.7	6147/242	2700/106.3x2	26/58.6

ROPV	DESIGN	X W Liu 2008.04.08	Harbin ROPV Industry Development Center
	REVIEW	J B An 2008.04.08	MODEL R40B300S PRESSURE VESSEL
	APPROVAL	Y C Li 2008.04.08	DRG R40B300S-00
			REV 08