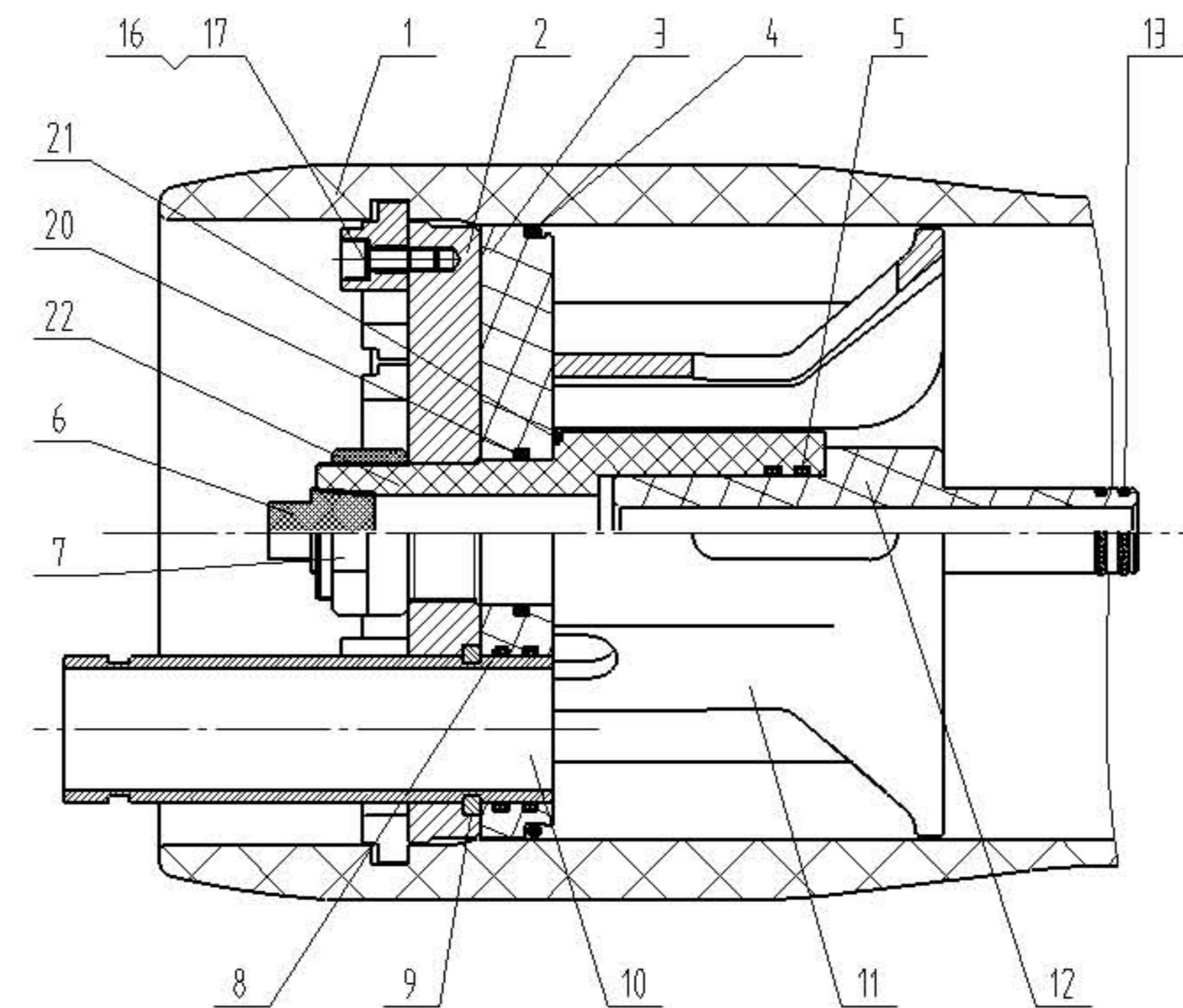


- 1 Design pressure 300PSI(2.1MPa)
- 2 Design temperature 150°F(66°C)
- 3 Min. allowable temperature 14°F(-10°C)
- 4 Working medium, water PH3~11
- 5 Internal permeate pressure not to exceed 125PSI(0.88MPa)
- 6 Please operate in accordance with User Manual
- 7 Subject to change without notice. Check with ROPV to confirm current drawing.

22	8064.1	Permeate Port	2	ABS	
21	58x2.65G GB/T3452.1-2005	O-Ring	2	EPDM	
20	47.5x3.55G GB/T3452.1-2005	O-Ring	2	EPDM	
19	8033	Locking Kit Segment	6	304SS	
18	8032	Saddle	2~3	NR	
17	GB/T170.1 M8x25	Locking Segment Screw	6	304SS	
16	GB859-87 8	Spring Pal	6	304SS	
15	GB/T 5780 M8x70	Strap Screw	4~6	304SS	
14	8027.1	Strap	2~3	304SS	
13	23.6x2.65G GB/T3452.1-2005	O-Ring	4	EPDM	
12	8025	Adapter	2	ABS	
11	8022.2	Thrust Ring	1	ABS	
10	8057	Feed/Conc. Port	2	316SS	
09	8055	Feed/Conc.Port Fixed Ring	4	304SS	
08	47.5x3.55G GB/T3452.1-2005	O-Ring	4	EPDM	
07	8014.1	Permeate Port Locknut	2	ABS	
06	8013	Plug	1	ABS	
05	36.5x3.55G GB/T3452.1-2005	O-Ring	4	EPDM	
04	190x5.3G GB/T3452.1-2005	O-Ring	2	EPDM	
03	8053	Seating Plate	2	PVC/ABS	
02	80510	bearing Plate	2	6061 T651	
01	8045.1-8	Pressure Shell	1	FRP	Opt for blue or white
Ref	Part Number	Description	Qty	Material	Note



Shell Length Code	Shell Number	L L.O.A (MM/IN)	S Span (MM/IN)	Approx assembly weight (KG/LB)
1	8045.1	1534/60.4	700/27.6	40/90.1
2	8045.2	2550/100.4	1455/57.3	48/108.1
3	8045.3	3566/140.4	2064/81.3	56/126.1
4	8045.4	4582/180.4	1600/63.0x2	64/144.1
5	8045.5	5598/220.4	2000/78.7x2	72/162.2
6	8045.6	6614/260.4	2358/92.8x2	80/180.2
7	8045.7	7630/300.4	2865/112.8x2	88/198.2
8	8045.8	8646/340.4	3373/132.8x2	96/216.2

ROPV

DESIGN	X W Liu 2008.04.08	Harbin ROPV Industry Development Center	
REVIEW	J B An 2008.04.08	MODEL R80B300E PRESSURE VESSEL	
APPROVAL	Y C Li 2008.04.08	DRG R80B300E-00	REV 08