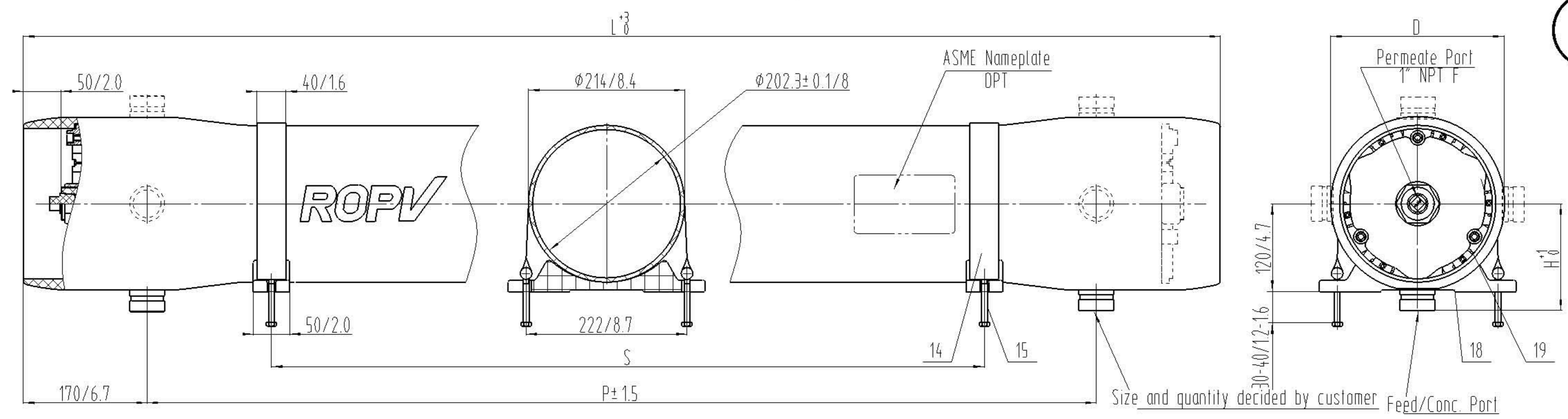
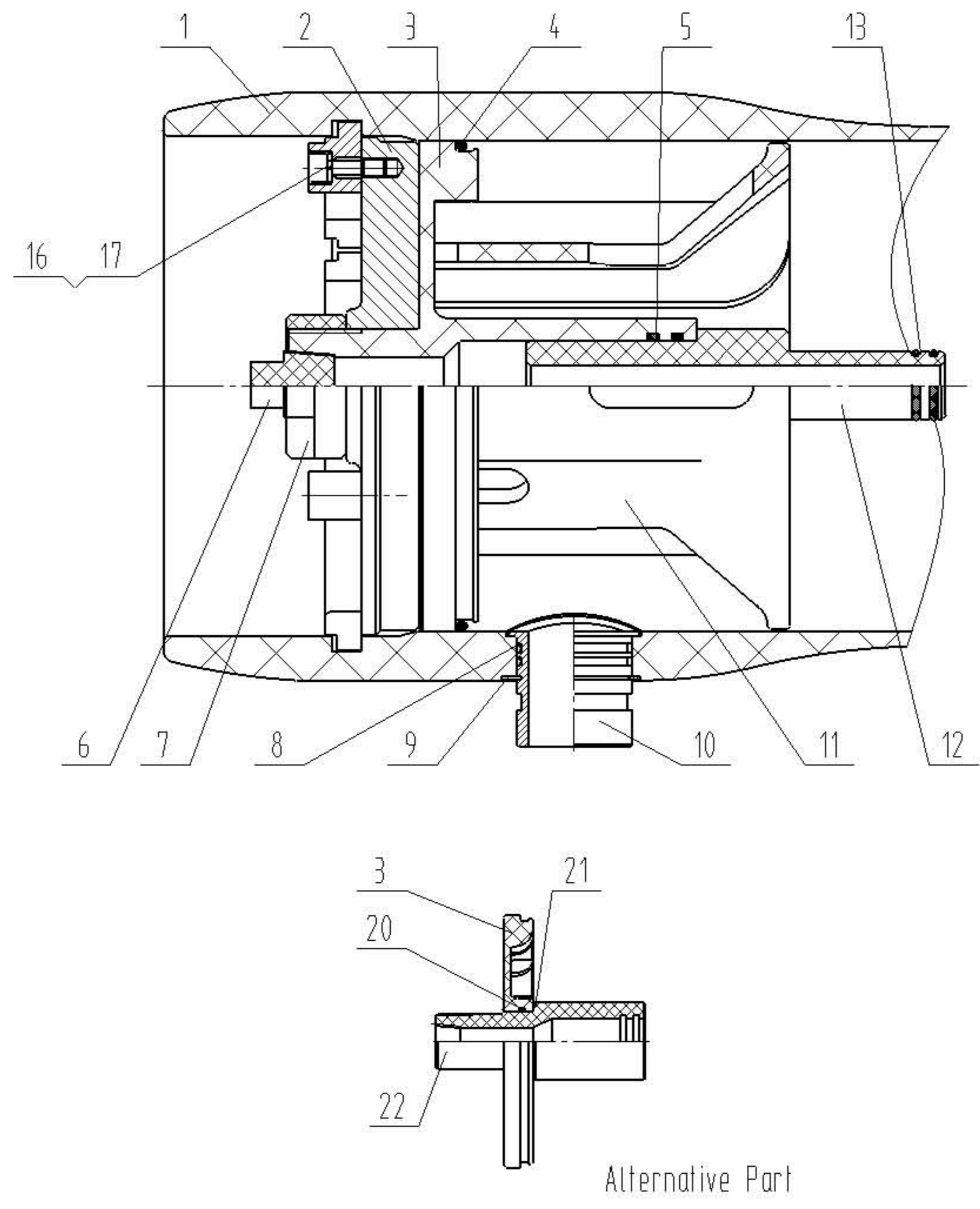


300  
PSI



\*Standard Mode

22	8064.1	Permeate Port	2	ABS	
21	58x2.65G GB/T3452.1-2005	O-ring	2	EPDM	
20	47.5x3.55G GB/T3452.1-2005	O-ring	2	EPDM	
19	8033	Locking Kit Segment	6	304SS	
18	8032	Saddle	2~3	NR	
17	GB/T170.1-2000 M8x25	Locking Segment Screw	6	304SS	
16	GB859-87 8	Spring Pad	6	304SS	
15	GB/T15782-2000 M8x70	Strap Screw	4~6	304SS	
14	8027.1	Strap	2~3	304SS	
13	23.6x2.65G GB/T3452.1-2005	O-ring	4	EPDM	
12	8025	Adapter	2	ABS	
11	8022.1	Thrust Ring	1	ABS	
10	8015.3	2.5"Feed/Conc. Port	2~4	316LSS	OPT
	8015.2	2"Feed/Conc. Port			
	8015.1	1.5"Feed/Conc. Port*			
09	80051.1-3	Retaining Ring	2~4	304SS	
08	69x3.55G GB/T3452.1-2005	O-ring	4~8	EPDM	
	54.5x2.65G GB/T3452.1-2005				
	42.5x2.65G GB/T3452.1-2005				
07	8014.1	Permeate Port Locknut	2	ABS	
06	8013	Plug	1	ABS	
05	36.5x3.55G GB/T3452.1-2005	O-ring	4	EPDM	
04	190x5.3G GB/T3452.1-2005	O-ring	2	EPDM	
03	8010.2	Parted Sealing Plate	2	ABS	OPT
	8010.1	Unitary Sealing Plate*			
02	80080	Bearing Plate	2	LY12	
01	8002.1-8	Pressure Shell	1	FRP	OPT for Blue or White
Ref.	Part Number	Description	Qty.	Material	Note



NOTE:

- 1 Design pressure 300PSI(2.1MPa).
- 2 Design temperature 150°F(66°C)
- 3 Min. allowable temperature 14°F(-10°C)
- 4 Working medium, water PH3~11
- 5 Internal permeate pressure not to exceed 125PSI(0.88Mpa)
- 6 Please operate in accordance with User Manual
- 7 Subject to change without notice. Check with ROPV to confirm current drawing.

Size of Feed/Conc. Port	D(MM/IN)	H(MM/IN)
1.5"(DN40)	241/9.5	148/5.8
2"(DN50)	245/9.6	148/5.8
2.5"(DN65)	256/10	153/6

Shell length code	Shell number	L L.O.A MM/IN	P Port to port MM/IN	S Span MM/IN	Approx assembly weight (1.5"Feed/Conc. Port) KG/LB
1	8002.1	1534/60.4	1194/47	700/27.6	39/87.8
2	8002.2	2550/100.4	2210/87	1455/57.3	47/105.9
3	8002.3	3566/140.4	3226/127	2064/81.3	55/123.9
4	8002.4	4582/180.4	4242/167	1600/63x2	63/141.9
5	8002.5	5598/220.4	5258/207	2008/78.7x2	71/159.9
6	8002.6	6614/260.4	6274/247	2358/92.8x2	79/177.9
7	8002.7	7630/300.4	7290/287	2865/112.8x2	87/195.9
8	8002.8	8646/340.4	8306/327	3373/132.8x2	95/214

**ROPV**

DESIGN: X W Liu 2008.04.08  
 REVIEW: J B An 2008.04.08  
 APPROVAL: Y C Li 2008.04.08

Harbin ROPV Industry Development Center

MODEL: R80B300S PRESSURE VESSEL  
 DRG: R80B300S-00 REV: 08